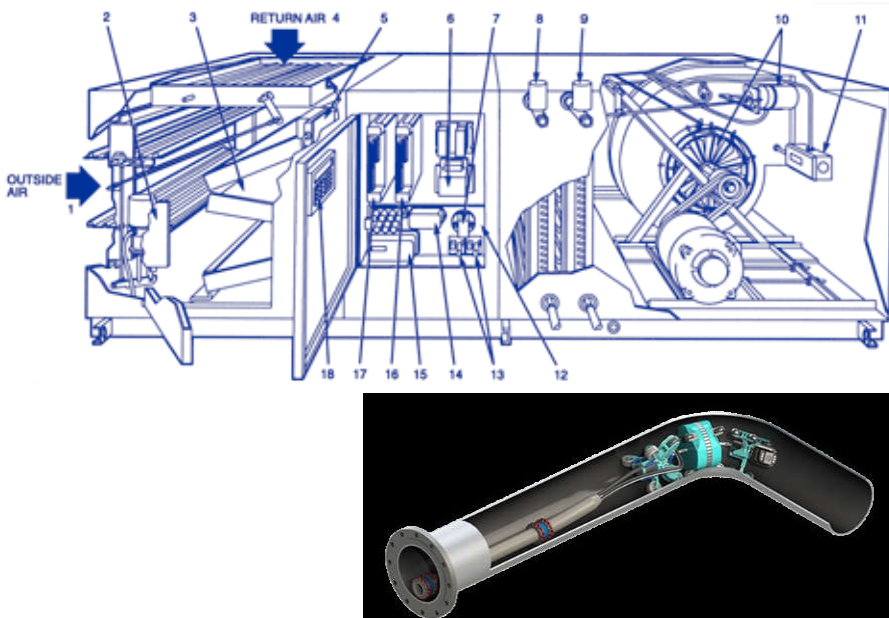


SAVE THE DATE

Chapter Meeting

November 14, 2018



Location:

Casa Rina of Thornwood
886 Commerce St
Thornwood NY 10594

5:30-6pm Meet and Greet
6-6:30pm Technical Presentation
6:30pm Dinner
7-8PM Main Presentation

1 PDH Pending
Walk-ins and General Public
Welcome

Main Presentation: Air Handling Units – Designing from a Manufacturer’s Perspective

Presented by Adam Bachert – Theoretical design of equipment is, theoretically, great! But reality is limited by the manufacturing process and installation. This presentation will go through how to design air handling from a manufacturer’s perspective, to optimize size, performance and increase efficiency of the design. Adam has his degree in Electrical Engineering from Penn State University and has been in the HVAC industry for over a decade working with customers on creating the best solution for their system.

Technical Presentation: Spray in Place Pipelining

Presented by Steven Friedlander – This presentation will go through the Characteristics of solid epoxy coating in pipes, understanding the solutions available for piping lining, and the process of applying spray-in-place epoxy coating to rehabilitate existing pipes in a system. Steven has had experience with Pipe restoration for the past six years with Belco. Previously he was a Sustainability consultant with SKF Global Consulting and has been in this industry for over two decades.

Upcoming Events:

December 12th - ASHRAE Holiday Party Presented by Belimo - Bull and Barrel, Brewster
January 9th – Main: NY Rebates and Program – Tech: Blue Box Controls – Casa Rina, Thornwood
February 13th – Main: Jill Singer Business Development – Bull and Barrell, Brewster
March 13th – Main: Business Ethics – Casa Rina, Thornwood
April 10th – Tour – Stay Tuned for more info!